

# DESIGN|SUITE

## Cabinetry



Cabinetry that offers the evolution of Quality, Value & Choices

# DESIGN|SUITE

These instructions serve as a general guideline on how to install Design-Suite cabinets in a reasonably simple installation. Many cabinet designs and installations may be far more complex and beyond the scope of these instructions and require a professional installer.

## INDEX

- Required Tools
- Layout and Planning the Installation
- Cabinet Installation Order
- Installing Cabinets Level
- Fastening Cabinets to the Wall
- Fastening Cabinets Together
- Installing Fillers



**Warning:** Kitchen installations typically involve gas, high-voltage wiring, plumbing and mechanical details like heating and AC vents. This guide covers only cabinet installation. At a minimum, if you're not well versed in these areas, make sure that all power is shut off to exposed wiring and gas valves are closed to gas supply lines.

## REQUIRED TOOLS

- Tape Measure
- Pencil
- 3- to 4-foot Level
- 3/16" Drill Bit
- Phillips Head Screwdriver
- #2 Square Drive Bit
- Electric Drill
- Hammer
- Wood Shims
- Phillips Head Screw Gun
- Handsaw
- Chalk Line
- Step Ladder
- Extension Cord
- Pry Bar
- Clamps
- Carpenter's Square

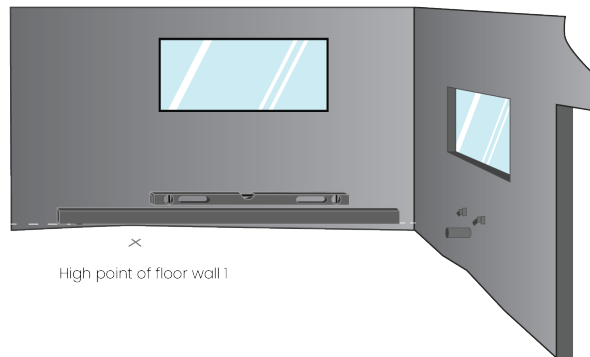
## Additional Recommended Tools

- Small Table Saw
- Power Miter Saw
- Laser Level
- Stud Finder

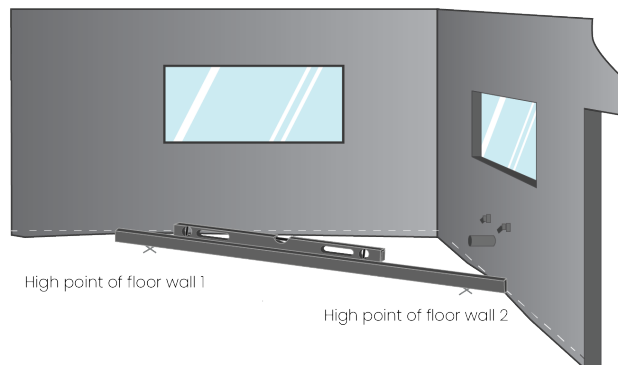
# LAYOUT & PLANNING FOR YOUR INSTALLATION

- 1) Take inventory of the cabinets as per the plan or order.
- 2) Find the high spot in the floor using a level as shown below.

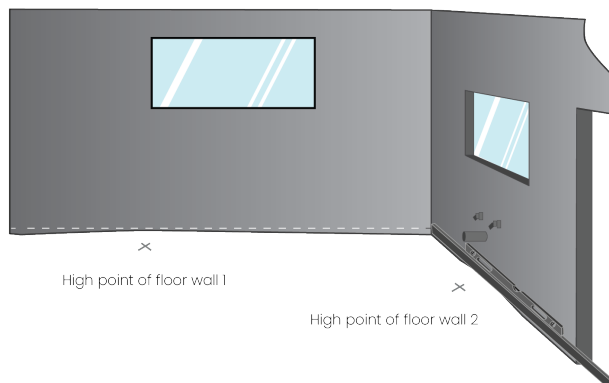
## Locating the High Point on the Floor for a Wall



## Locating the High Point on the Floor for an Adjacent wall



## Locating the High Point on the Floor Between Two Walls



- 3) Measure up the wall 34 ½" above the high spot and draw a level line anywhere that base cabinets will be installed. (This means that this line will measure greater than 34 ½" above the floor in most places along the wall.)
- 4) Find and mark the studs. This can be done by trial and error of driving a nail in the wall until you find a stud or use an electronic stud finder. Studs will usually be every 16" center to center.
- 5) It is best when installing a larger kitchen to mark the cabinet positions and code (size) on the wall. Better to find out now if things aren't going to fit just right than after you've installed several cabinets.
- 6) Unbox the cabinets and be cautious not to drag them across the floor. Save some cardboard to rest the cabinets on to prevent damage to the cabinets and the floor.
- 7) Remove all doors, drawers and shelves, being careful to mark them so that they go back on correct cabinets. Removing the doors can be done without tools as the hinges are "clip-on."

Removing drawer boxes is different depending on the type drawer.

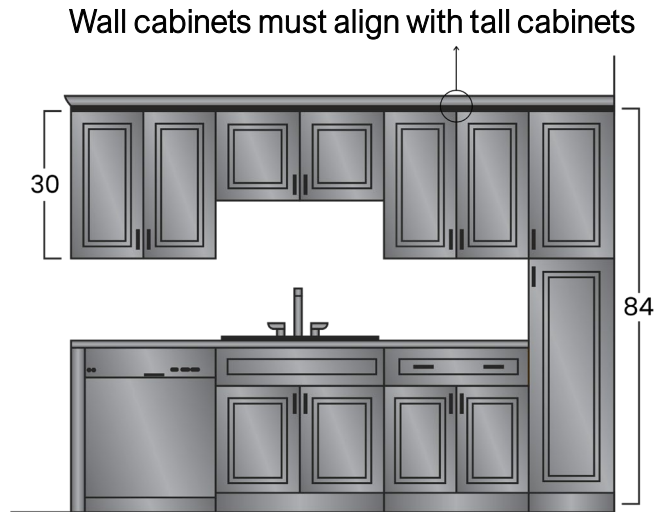
---

**Steel drawers** can be removed by simply pulling the drawer out until it stops, then lifting up the front of the drawer and removing the drawer.

**Dovetail drawers** can be removed by pulling the drawer out until it stops. Then reach under the drawer box on both sides just behind the drawer front. Pull the clips, holding both of them simultaneously while lifting up on the drawer box. Then slide the drawer out.

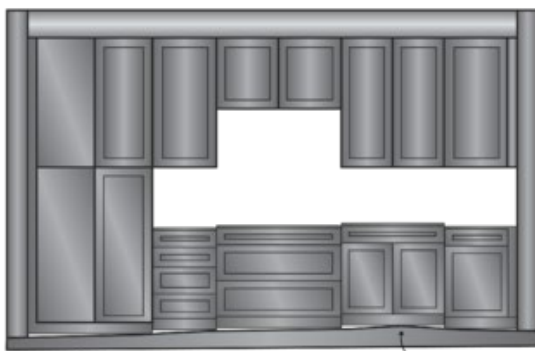
## CABINET INSTALLATION ORDER

Determining the installation order of the cabinets depends on the plan. As a general rule it is better to start with wall cabinets in the corner and work out. However, if you have tall cabinets like a pantry or oven cabinet in the plan, it is critical to make sure that the tall cabinet is used to determine the top alignment of wall cabinets.

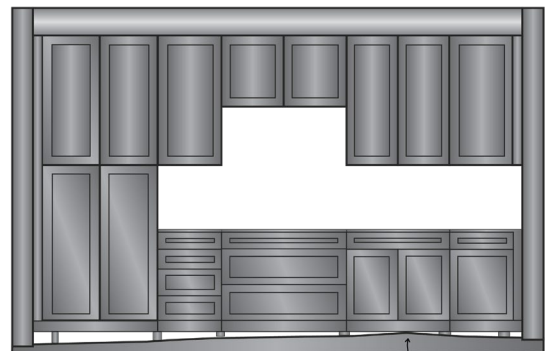


## INSTALLING CABINETS LEVEL

▪ Nearly every floor, in any house, will not be level and flat. The illustrations below show an exaggerated view of why leveling cabinets to the high point in the floor is critical.



**WRONG**



**CORRECT**

- If necessary, cabinets should be shimmed up from the floor level to the 34 ½" line with wood or composite shims.
- Cabinets may need to be shimmed out from the wall to maintain a straight line. Design-Suite cabinets are face frame construction. In most cases shims will not be necessary because the face frame will force the cabinets into alignment.

## FASTENING CABINETS TO THE WALL

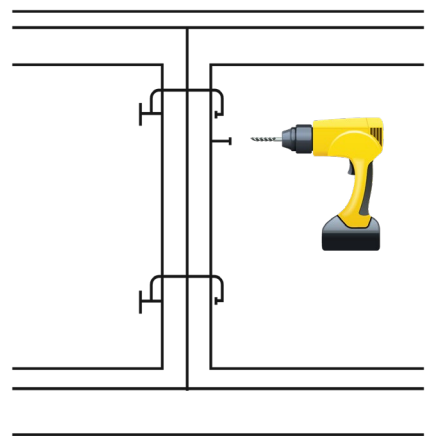
---

- 1) Screw wall cabinets and tall cabinets to the predetermined height through the back panel into a stud. Make sure to place screws near the top and bottom of the cabinet. Measure and mark the stud location on the cabinet before drilling. Use an appropriate size screw when fastening the cabinets to the wall. Making sure the screw is long enough to penetrate framing or blocking.
- 2) Place a screw at the top of the cabinet and the bottom of the cabinet in as many studs as can be located in the cabinet width.
- 3) Level the cabinets.
- 4) Important: Make sure the cabinets are square by placing a framing square inside or outside of the cabinet. Full-access cabinets can be racked (or slightly twisted) before they are fastened in place.

## FASTENING CABINETS TOGETHER

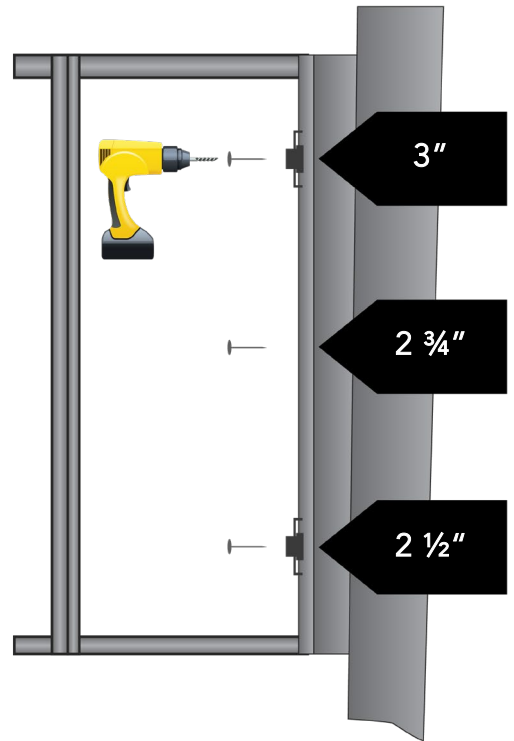
---

- 1) Align cabinet cases together carefully.
- 2) Cabinet cases can be clamped together using various kinds of clamps; however, use caution with any kind of steel clamp to not damage the surface material of the cabinet.
- 3) Use an appropriate size screw when fastening the cabinets to each other. Making sure the screw is long enough to penetrate the adjacent cabinet frame but to too long that it protrudes through the adjacent cabinet frame.



## INSTALLING FILLERS

- 1) Cabinets come in 3" increments in width; therefore fillers will be required when cabinets are to fit between walls.
- 2) Measure the space between the wall and the cabinet at the top, middle and bottom. If the dimensions are close to the same, you can rip (saw) the filler in a straight line to the proper width to fit.
- 3) Next, predrill holes for appropriate screw size and screw the fillers from the inside of the cabinet.
- 4) In a case where the wall is not plumb, the filler will have to be cut to fit to the uneven wall.



## NEED HELP?

If you have questions or comments, please contact us at:

Design-Suite  
110 Mayfield Ave  
Edison, NJ 08837  
(800) 223-1675  
[sales@design-suite.com](mailto:sales@design-suite.com)

